

EDIC-mini Tiny model B33

150h/300h/600h/1200h/2400h

Specifications

- Plastic case
- Dimensions: 44x28x11 mm;
- Weight: <7 g (without a battery);
- Operating temperature range: 0...+40°C (32...+104°F)
- Recording mode – mono;
- Built-in microphone's operating distance: 7...9 m (21-27ft);
- Recording duration: up to 2400 hours
- Battery life in record mode (sampling rate 8KHz, without compression): 67 hours
- Battery life in VAS mode (audio signals below threshold): up to 190 hours
- In stand-by mode: up to 8.5 months
- Power supply: CR2032 battery (d=20mm, h=3.2mm)

Package Content

- Voice recorder;
- USB cable;
- Software CD;
- User manual;
- Two CR2032 batteries;
- Small textile strap.

Description

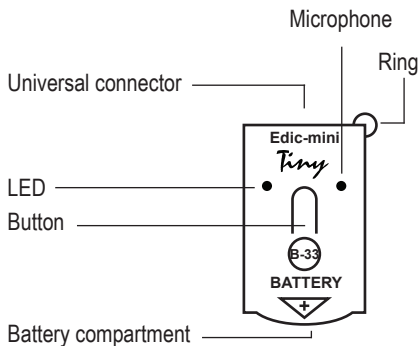


Figure 1

Inserting battery

Attention! Insert the battery as it is shown on the figure 2 (“plus” to the front side of the recorder). Otherwise, the recorder could be harmed.

To insert/ take out the battery, twist the recorder lid and open/close it.

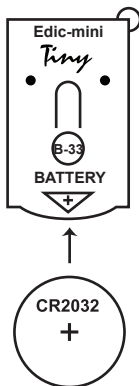


Figure 2

Turning the Recorder on

After you inserted the battery, press the button. Keep it pressed for 2-3 seconds and then release. The recorder will start self testing. While self testing, the recorder LED will flash three times and after a pause the fourth time (if fourth duration will not occur, the battery is uncharged or malfunctioning). The duration of the fourth flash can last for some seconds depending on the recorder's memory capacity. To evaluate the battery life in different modes, use the table 1 data.

Note:

- *For the recorder to operate according to the manufacturer's standards, use batteries of well-known brands.*
- *For the full usage of the battery capacity, make recordings in modes with low current consumption (the upper part of the table).*

Table 1.

Compression	Without compression	Logarithmic	ADPCM 2-bits	ADPCM 4-bits
Sampling rate	Consumption current/recording duration (mA/hours)			
5	2 mA/75hr	2 mA/75hr	2.4 mA/64hr	2.3 mA/67hr
8	2.3 mA/67hr	2.6 mA/58hr	3.1 mA/47hr	2.8 mA/53hr
11	3.0 mA/50hr	3.2 mA/47hr	3.5 mA/42hr	3.4 mA/44hr
16	3.9 mA/39hr	4.1 mA/36hr	4.7 mA/30hr	4.3 mA/33hr
22	3.8 mA/39hr	5.3 mA/28hr	5.7 mA/25hr	5.7 mA/25hr

The table 1 shows approximate values for Edic-mini Tiny B33-150h.

Start and Stop Recording

To start/stop recording, keep the button pressed for 3-4 seconds while the LED does not signal. When the recorder starts recording, the LED flashes five times. When the recorder stops recording, the LED will flash once.

While recording, the sequences of LED flashes show the charge of the battery (the first sequence: 1 flash – from 5% to 100%, 2 flashes – from 1% to 5 %, and 3 flashes mean that the battery is almost discharged (it should be changed). In 2-4 seconds, the second sequences show the free memory capacity: 1 flash – 75%-100%, 2 flashes –from 50% to 75%, 3 flashes – from 25% to 50%, and 4 flashes – from 0% to 25%).

Designed and manufactured by the
Telesystems Ltd.

The Manufactory Warranty Coupon

The manufacturer undertakes warranty repair liabilities for 1 year from the date of purchase, but no longer than 2 years from the date of manufacture of the product (warranty does not cover batteries). Paid repair is provided within recorder's operation lifetime (5 years). The manufacturer reserves the right to refuse in repair after the expiration of recorder operation life.

This warranty is voided if the recorder is:

- improperly used
- mechanically damaged
- received without supplier warranty tag on this document

All questions regarding product exchange and return must be solved with the seller's company according to Protection of Consumers Law.

Edic-mini Tiny model B33

- EM Tiny B33 - 150 h
- EM Tiny B33 - 300 h
- EM Tiny B33 - 600 h
- EM Tiny B33 - 1200 h
- EM Tiny B33 - 2400 h

Number _____

QC _____

Selling date _____

Seller _____

Address:

TS-Market Ltd.

Building 10/1 Sosnovaya Alleya, Zelenograd, Moscow, The Russian Federation, 124489

Tel: +7 (495) 638-8800; +7 (495) 651-91-51

(Cell) +7 (903) 530-10-01, +7 (909)638-88-00

Fax: +7 (495) 535-0491

E-mail: support@ts-market.com

<http://www.ts-market.com>