

EDIC-mini Tiny model B22 150h/300h/600h/1200h

Specifications

- Case: metallic case;
- Dimensions: 31x25x6 mm;
- Weight (without battery): <13 g
- Recording time: up to 1200 hours;
- Recording mode: mono;
- Operating temperature: 0-40°C (32-104°F)
- Battery life (sampling rate 8 kHz, without compression): 24 hours;
- Battery life in VAS mode (audio signal below the threshold): up to 70 hours;
- In stand-by mode: up to 3 months;
- Power supply: 1 battery 3V d20x1.6 mm (CR2016)

Package Content

- Voice recorder;
- USB cable;
- CD with drivers and programs;
- User manual;
- Two CR2016 batteries;

Description

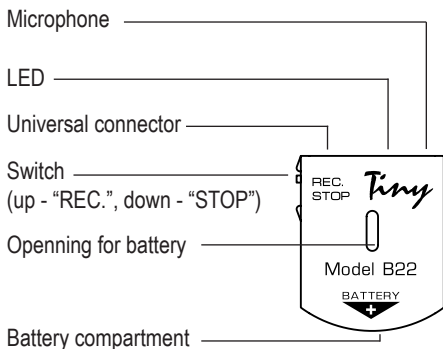


Figure 1

Battery Installation and Removal

Attention! Install a battery the same way as it is shown in Figure 2 (its positive terminal to the front side of the recorder); or the recorder could be damaged.

To remove the battery, use a thin object (for example, a pen).

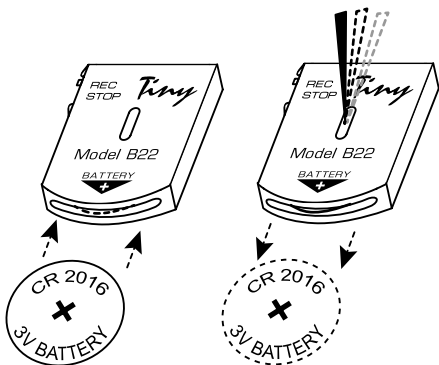


Figure 2

Before Recording

After you installed the battery, set the switch into the RECORD position for 2-3 seconds and turn it back into the OFF position. While the recorder's self testing, the LED will blink three times and light on again after a short pause. If this does not occur, the battery is uncharged or malfunctioning. Depending on the recorder's memory size, this fourth flash can last for some dozen seconds. To estimate the battery life in different modes, use the table 1.

Note:

To get ratings, shown in the table, use the batteries of the known brand names.

To completely use battery capacity, avoid modes with the high consumption current (bottom of the table).

Attention! *Don't use batteries that can not be recharged (for example, alkaline one).*

Table 1.

Compression Sampling rate	Without compression	Logarithmic	ADPCM 2-bits	ADPCM 2-bits
	Consumption current/recording duration (mA/hours)			
5.5	2 mA/27hr	2 mA/27hr	2.4 mA/23hr	2.3 mA/24hr
8	2.3mA/24hr	2.6 mA/21hr	3.1 mA/17hr	2.8 mA/19hr
11	3 mA/18hr	3.2 mA/17hr	3.5 mA/15hr	3.4 mA/16hr
16	3.9 mA/14hr	4.1 mA/13hr	4.7 mA/11hr	4.3 mA/12hr
22	3.8 mA/14hr	5.3 mA/10hr	5.7 mA/9hr	5.7 mA/9hr

The table shows approximate battery life and consumption current for different recording modes with 3 V source (consumption current / recording time)

Start and Stop Recording

To start recording, set the switch into the RECORD position. To stop recording, set the switch into the STOP position. The voice recorders' LED will blink five times and start recording. Then the voice recorders' LED will start blinking in a sequence while the recording is in progress. Blinking sequences indicate the battery status and available memory. The first sequence indicates the battery status: 1 flash – fully charged, 2 flashes – enough for work, 3 flashes –urgent replacement required. In 2-4 seconds there follows the second blinking sequence indicating the amount memory available: 1 flash – 76-100%, 2 flashes -51-75%, 3 flashes – 25-50%, 4 flashes – 1-25%.

Designed and manufactured by the
Telesystems Ltd.

The Manufactory Warranty Coupon

Warranty: The Telesystems Company provides warranty repair for 1 year from the selling date, but not more than 2 years from the manufacturing date.

This warranty is voided if the recorder is:

- improperly used
- mechanically damaged
- received without supplier warranty tag on this document

All questions regarding product exchange and return must be solved with the seller's company according to Protection of Consumers Law.

Edic-mini Tiny model B22

- EM Tiny B22 - 150 h
- EM Tiny B22 - 300 h
- EM Tiny B22 - 600 h
- EM Tiny B22 - 1200 h

Number _____

QC _____

Selling date _____

Seller _____

Address:

TS-Market Ltd.

Building 10/1 Sosnovaya Alleya, Zelenograd, Moscow, The Russian Federation, 124489

Tel: +7 (495) 638-8800; +7 (495) 651-91-51

(Cell) +7 (903) 530-10-01, +7 (909)638-88-00

Fax: +7 (495) 535-0491

E-mail: support@ts-market.com

<http://www.ts-market.com>